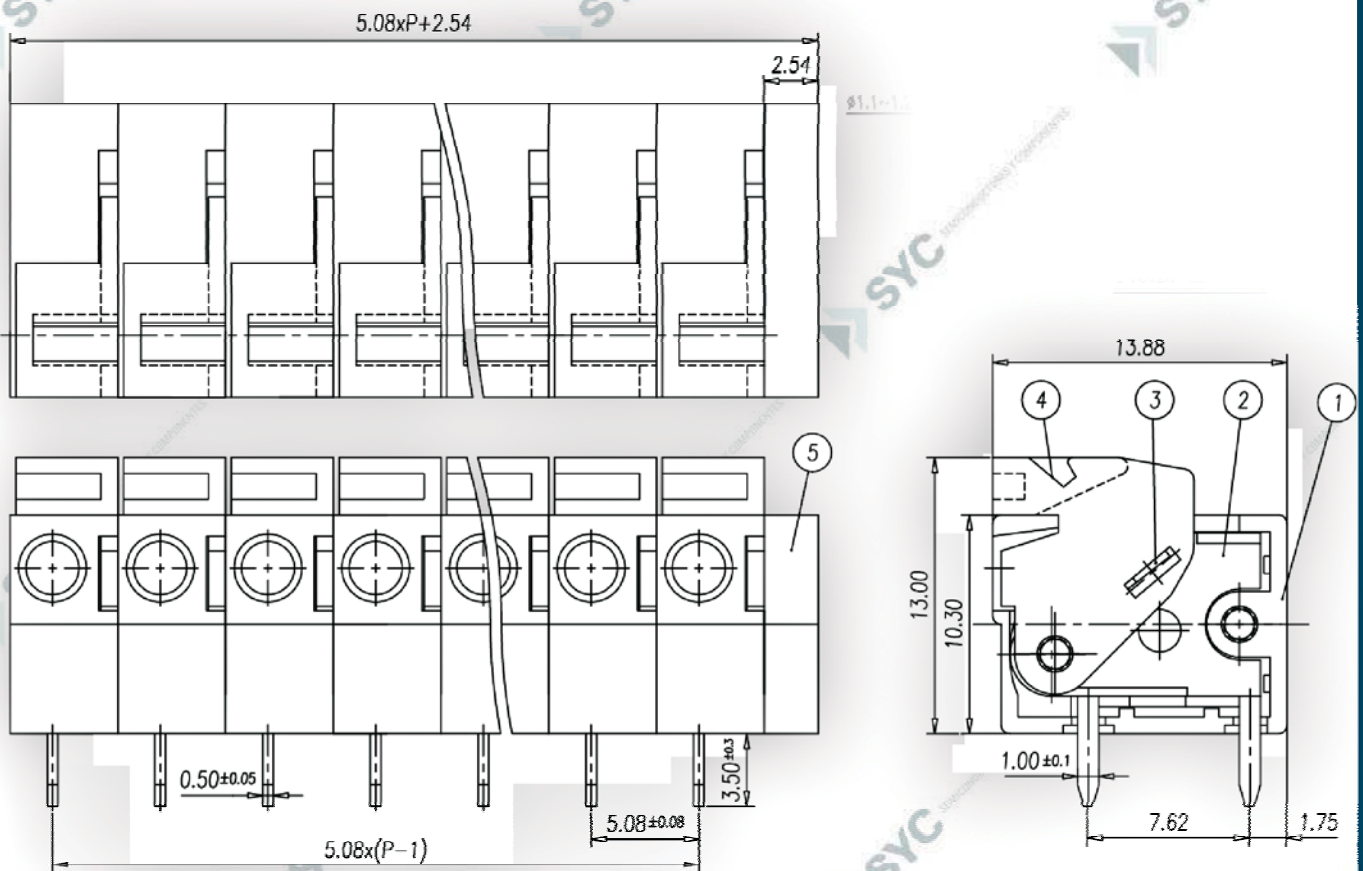


CODIGO

142R-XXP

DESCRIPCION

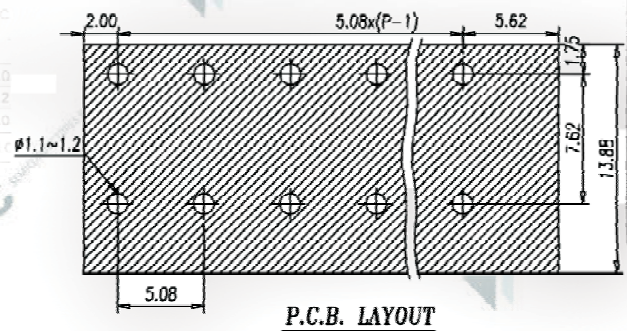
Bornera a PCB 5.08mm 10A a 90° de X vias



NOTES:

1. Rating: 300V 10A(IEC 380V 16A)
PITCH: 5.08mm
2. Insulation Withstands Voltage:
AC 1500 V/MIN
3. Insulation Resistance:
500MΩ or more at DC500V
4. Using Temperature Range:
-40°C~+105°C
5. Suitable Electric Wire: AWG 22~14 (IEC 1.5mm²)
6. Undimensioned Tolerances:

—	∅	L	0.05/10
	≡		0.2/10
PITCH ERROR			0.05/10
UNDIMENSIONS TOLERANCES			±0.3



P.C.B. LAYOUT