

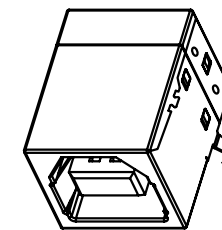
1

2

3

4

5



## Specifications:

Current Rating:1.0A AC/DC

Voltage Rating:30V AC/DC

Contact Resistance:20M ohmMax.

Insulation Resistance:1,000M ohm .Min.

Withstanding Voltage:750V AC For One Minute

Operating Temperature Range:-40°C to +105°C

Material:

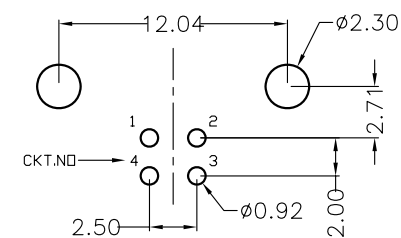
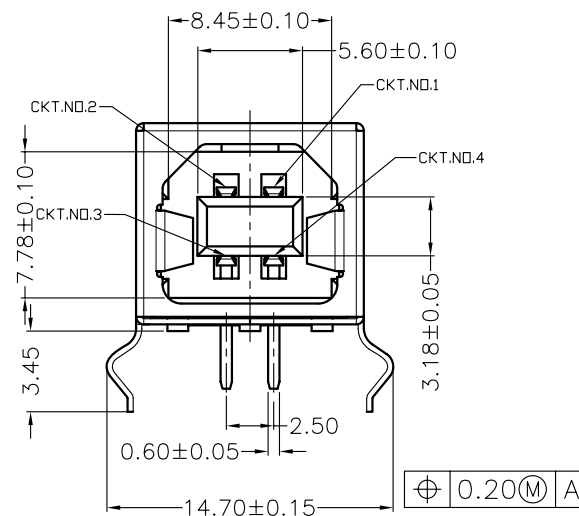
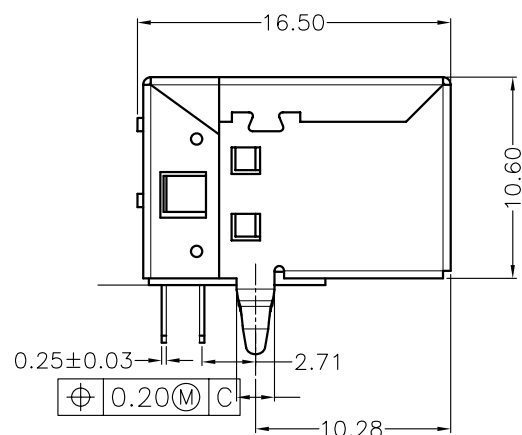
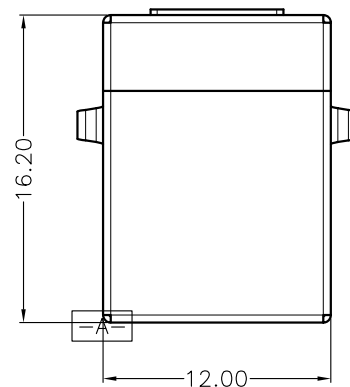
Insulator:High Temp. Plastic(PBT UL94V-0)

Contact:Phosphor Bronze

Finish:Selective Plating Gold Tin 100u"

Over nickel 50u"

Shell:Tin Plating100u'

PCB LAYOUT  
TOLERANCE:±0.10

RoHS Compliant

## GENERAL TOLERANCE:

.X=±0.20

.XX=±0.15

UNIT: MM

SCALE:1:1

SHEET: 1 / 1

PROJECTION:

DESCRIPTION:

USB B Type PCB Female Right Angle

PART NO:

5075BR-04

SIZE

**A4**