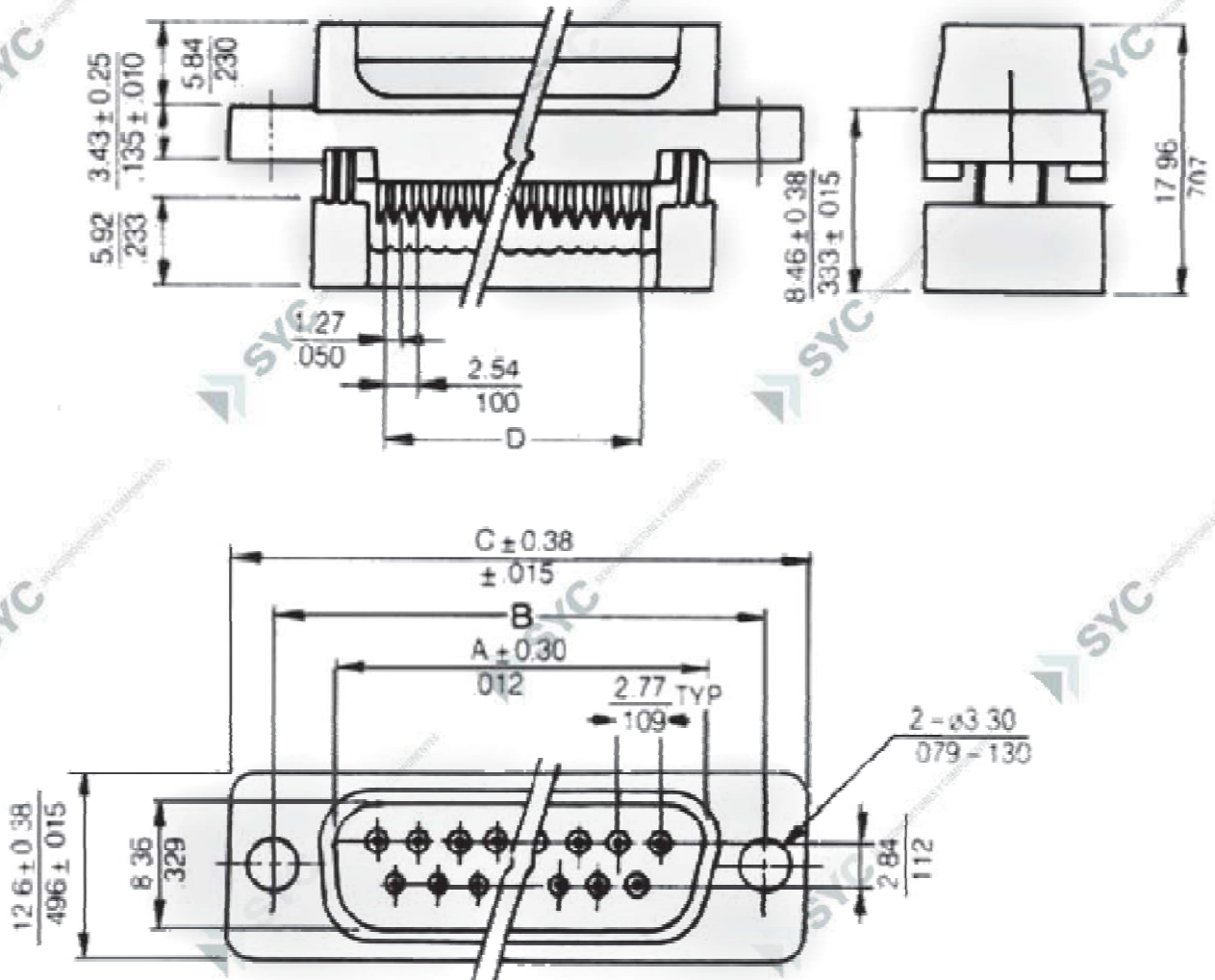


CODIGO

DESCRIPCION

DFXXP

Conector macho para cable plano



Circuits	A	B	C	D
9	16.92 ( .666)	24.99 ( .984)	30.81 (1.213)	10.16 (.400)
15	25.25 ( .994)	33.32 (1.312)	39.14 (1.541)	17.78 (.700)
25	38.96 (1.534)	47.04 (1.852)	53.04 (2.088)	30.48 (1.20)
37	55.42 (2.182)	63.50 (2.500)	69.32 (2.729)	45.72 (1.80)