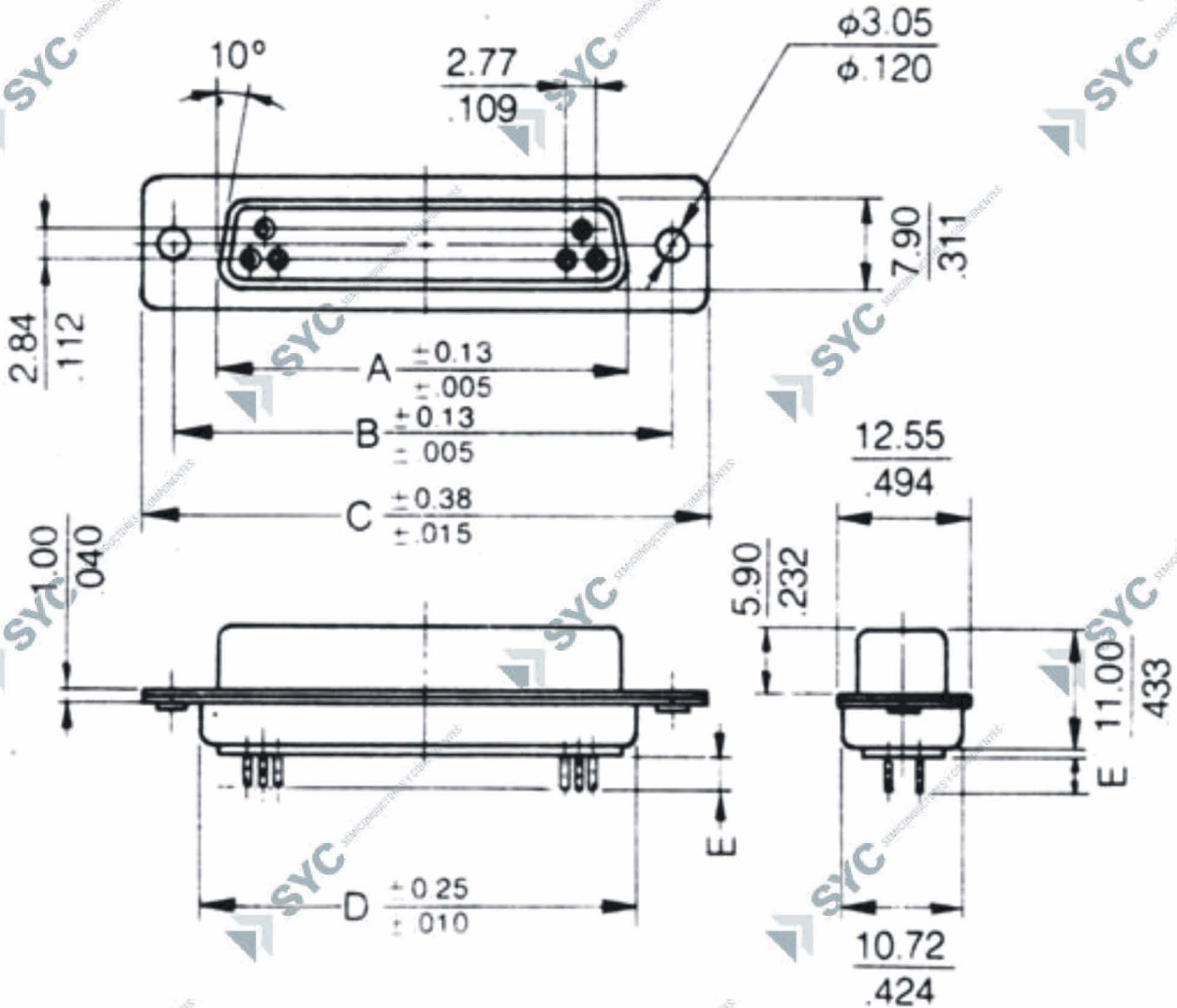


**CODIGO**

DSXXS-CI

**DESCRIPCION**

Conector SUB-D hembra p/ CI recto X vias



Circuits	A	B	C	D
9	16.92 ( .666)	24.99 ( .984)	30.81 (1.213)	19.23 ( .757)
15	25.25 ( .994)	33.32 (1.312)	39.14 (1.541)	27.56 (1.085)
19	30.75 (1.211)	38.94 (1.533)	44.94 (1.769)	32.86 (1.294)
23	35.92 (1.414)	44.28 (1.743)	50.56 (1.991)	38.38 (1.511)
25	38.96 (1.534)	47.04 (1.852)	53.04 (2.088)	41.28 (1.625)
37	55.42 (2.182)	63.50 (2.500)	69.32 (2.729)	57.73 (2.273)
50	52.81 (2.079)	61.11 (2.406)	66.93 (2.635)	55.12 (2.170)