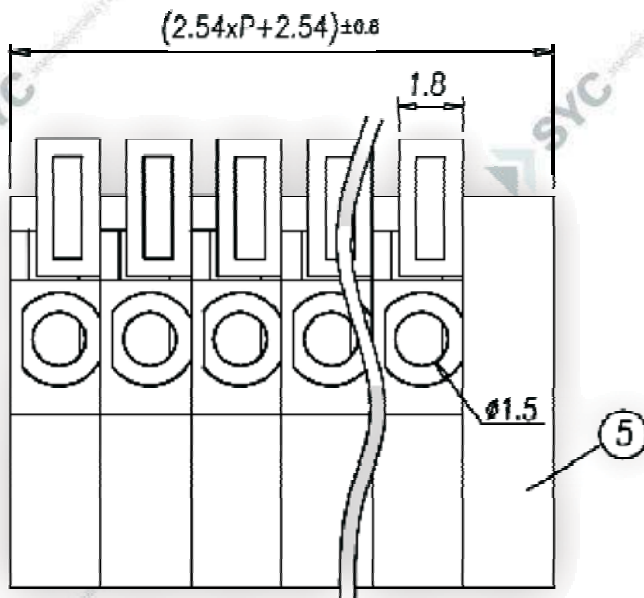


CODIGO

141V-XXP

DESCRIPCION

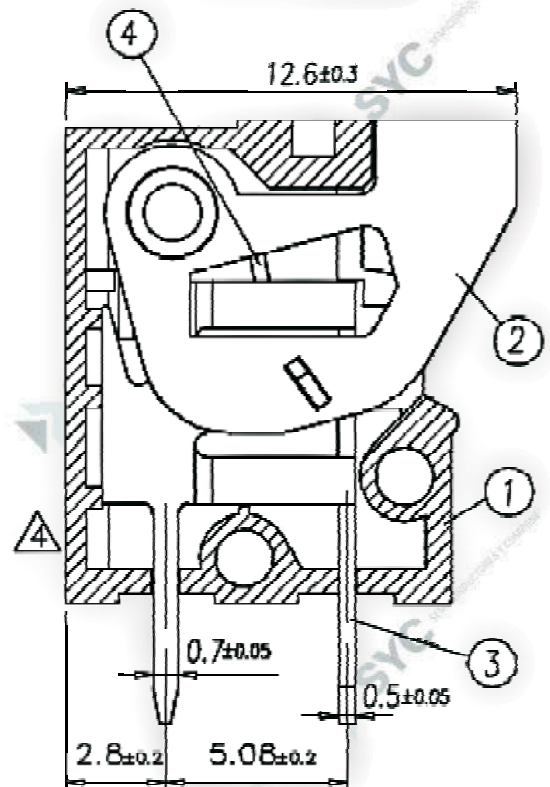
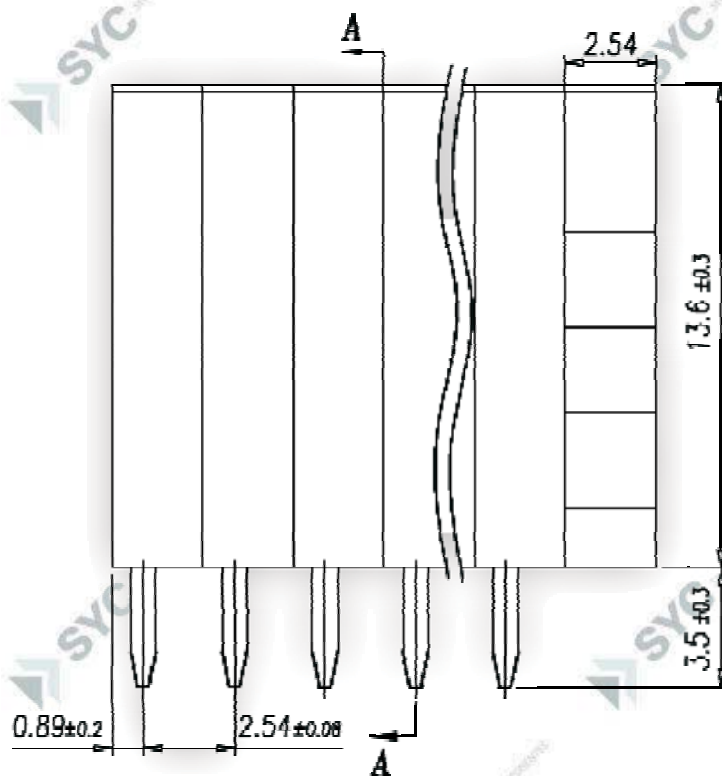
Bornera a PCB 2.54mm 2A recto de X vias



NOTES:

1. Rating: 150V 2A
PITCH: 2.54mm
2. Insulation Withstands Voltage:
AC 1500 V/MIN
3. Insulation Resistance:
500MΩ or more at DC500V
4. Using Temperature Range:
-40°C~+105°C
5. Suitable Electric Wire:
AWG 26~20(IEC 0.5mm²)
6. Undimensioned Tolerances:

—	∩	∇	0.05/10
⊥	//	≡	0.2/10
PITCH ERROR			0.05/10
UNDIMENSIONED TOLERANCES			±0.3



SECTION A-A