

CODIGO

EC381V-XXP

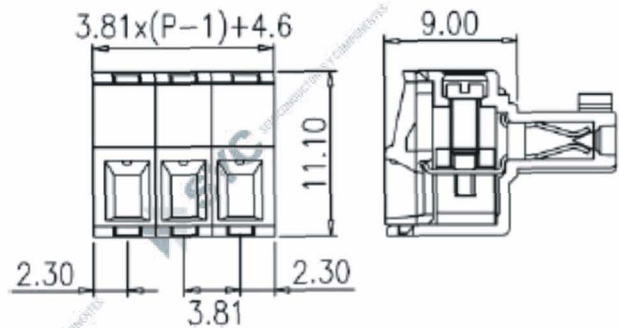
DESCRIPCION

Enchufable hembra a cable 3.81mm X vias

Plugs for pluggable terminal blocks / **EC & ESD series**



EC381V



Pitch: 3.81mm



Approval	UL	
Technical Data	UL	IEC
Rated voltage	300V	130A
Rated current	8A	8A
Wire range		1.5mm ²
Solid wire (AWG)	28~16	
Stranded wire (AWG/mm ²)	28~16	
Rated surge voltage (UL/IEC/Max.)	1.6 / 1.25 / 3 KV	
Torque (Lb-in)	1.7	
Screw	M2	
Wire strip length	6~7mm	
Pole	Cat. No.	
02	EC381V-02P	
:	:	
:	:	
24	EC381V-24P	