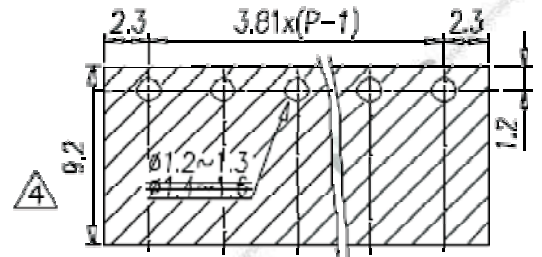
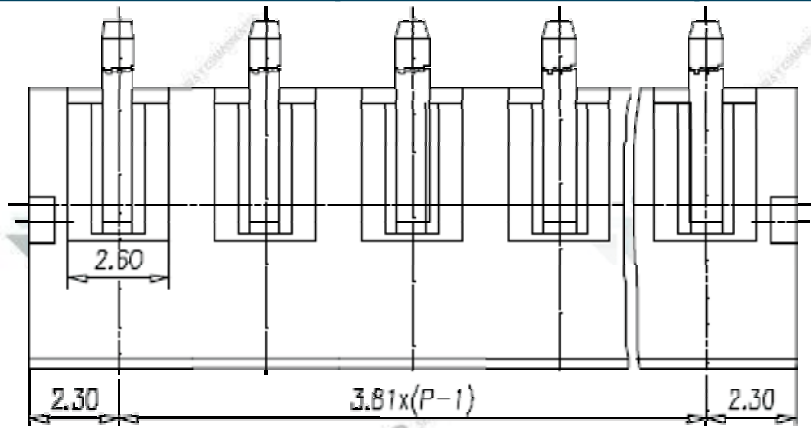


CODIGO

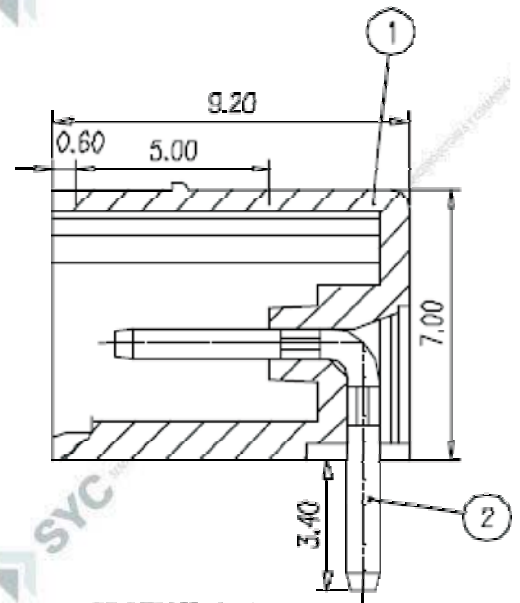
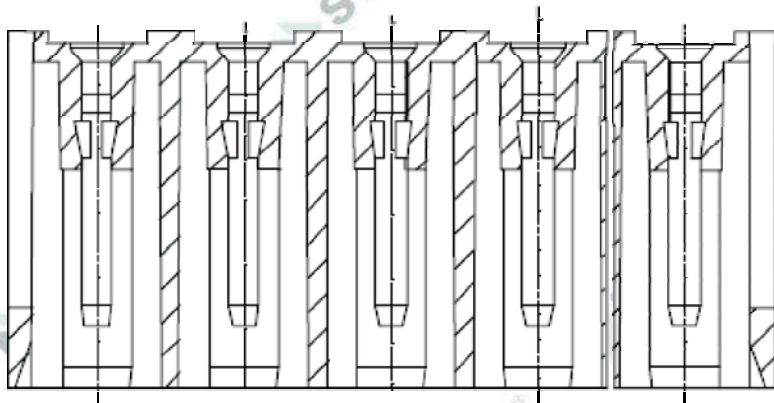
ECH381R-XXP

DESCRIPCION

Enchufable macho a PCB 3.81mm a 90° de XV



P.C.B. LAYOUT



SECTION A-A

NOTES:

300 

1. Rating: 485V BA
 PITCH: 3.81mm

2. Insulation Withstands Voltage:
 AC 1000V/MIN

3. Insulation Resistance:
 1000MΩ or more at DC500V

4. Using Temperature Range:
 -40°C~+130°C

 ~~5. Suitable Electric Wire: AWG-22-16~~

6. Undimensioned Tolerances:

-	∩	□	0.05/10
⊥	//	≡	0.2/10
PITCH ERROR			0.05/10
UNDIMENSIONED TOLERANCES			±0.5

