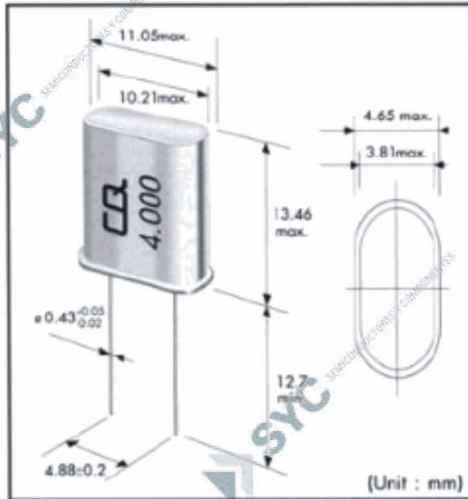


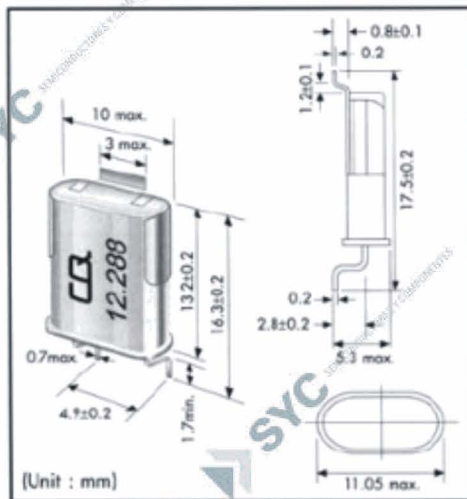
CODIGO
 XTALXXX

DESCRIPCION
 Cristal XMHZ

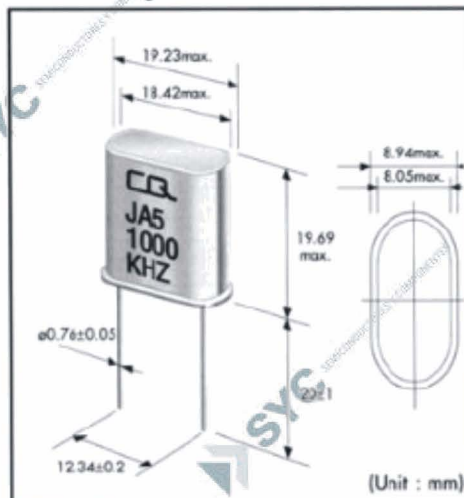
HC-49/U



HC-49/U-SMD-CLIP



HC-33/U



Frequency (MHz)	Cl (pF)	R _s max (Ω)	Holder Type	Vibration Mode	Frequency (MHz)	Cl (pF)	R _s max (Ω)	Holder Type	Vibration Mode
1.000	32	650	HC-33/U	Fund	10.245	32	30	HC-49/U	Fund
1.8432	32	650	HC-49/U	Fund	10.700	32	30	HC-49/U	Fund
2.000	32	550	HC-49/U	Fund	10.752	32	30	HC-49/U	Fund
2.097152	32	550	HC-49/U	Fund	11.000	32	30	HC-49/U	Fund
2.4576	32	350	HC-49/U	Fund	11.0592	32	30	HC-49/U	Fund
3.000	32	150	HC-49/U	Fund	11.150	30	30	HC-49/U	Fund
3.2768	32	150	HC-49/U	Fund	11.5035	20	30	HC-49/U	Fund
3.575611	18	100	HC-49/U	Fund	12.000	32	30	HC-49/U	Fund
3.579545	16	90	HC-49/U	Fund	12.288	32	30	HC-49/U	Fund
3.582056	18	100	HC-49/U	Fund	12.800	16	25	HC-49/U	Fund
3.582692	16	100	HC-49/U	Fund	13.875	32	30	HC-49/U	Fund
3.600	30	100	HC-49/U	Fund	14.000	32	25	HC-49/U	Fund
3.6864	20	100	HC-49/U	Fund	14.1875	Series	25	HC-49/U	Fund
3.8392	15	100	HC-49/U	Fund	14.31818	32	25	HC-49/U	Fund
3.840	32	100	HC-49/U	Fund	14.7456	32	25	HC-49/U	Fund
3.848	15	100	HC-49/U	Fund	15.000	32	25	HC-49/U	Fund
3.93216	20	100	HC-49/U	Fund	15.360	32	25	HC-49/U	Fund
3.980	12	100	HC-49/U	Fund	16.000	32	20	HC-49/U	Fund
3.9936	32	100	HC-49/U	Fund	16.9344	12	20	HC-49/U	Fund
4.000	20	100	HC-49/U	Fund	17.472	32	20	HC-49/U	Fund
4.032	20	100	HC-49/U	Fund	17.734475	32	20	HC-49/U	Fund
4.096	16	100	HC-49/U	Fund	18.000	32	20	HC-49/U	Fund
4.194304	12	100	HC-49/U	Fund	18.432	32	20	HC-49/U	Fund
4.433619	16	80	HC-49/U	Fund	19.6608	32	20	HC-49/U	Fund
4.433619	Series	80	HC-49/U	Fund	20.000	32	20	HC-49/U	Fund
4.500	20	80	HC-49/U	Fund	22.1184	32	25	HC-49/U	Fund
4.800	32	80	HC-49/U	Fund	24.000	32	25	HC-49/U	Fund
4.9152	32	70	HC-49/U	Fund	24.576	32	40	HC-49/U	Fund
5.000	20	60	HC-49/U	Fund	26.601712	18	50	HC-49/U	Fund
5.0688	32	50	HC-49/U	Fund	27.0000	20	50	HC-49/U	3rd
5.6448	32	50	HC-49/U	Fund	27.095	20	50	HC-49/U	3rd
6.000	32	40	HC-49/U	Fund	27.125	20	50	HC-49/U	3rd
6.144	32	40	HC-49/U	Fund	27.145	20	50	HC-49/U	3rd
6.400	32	40	HC-49/U	Fund	27.195	20	50	HC-49/U	3rd
6.5536	32	40	HC-49/U	Fund	28.000	32	50	HC-49/U	3rd
7.15909	20	40	HC-49/U	Fund	28.322	32	50	HC-49/U	3rd
7.200	20	40	HC-49/U	Fund	29.4912	32	50	HC-49/U	3rd
7.3728	32	40	HC-49/U	Fund	32.000	32	50	HC-49/U	3rd
7.680	32	40	HC-49/U	Fund	33.8688	20	50	HC-49/U	3rd
8.000	32	35	HC-49/U	Fund	34.992	32	50	HC-49/U	3rd
8.192	20	35	HC-49/U	Fund	35.2512	18	50	HC-49/U	3rd
8.4672	20	35	HC-49/U	Fund	36.000	32	50	HC-49/U	3rd
8.867238	20	35	HC-49/U	Fund	40.000	32	50	HC-49/U	3rd
9.216	32	30	HC-49/U	Fund	44.560	16	50	HC-49/U	3rd
9.600	32	30	HC-49/U	Fund	45.470	16	50	HC-49/U	3rd
9.8304	32	30	HC-49/U	Fund	48.000	32	50	HC-49/U	3rd
10.000	32	30	HC-49/U	Fund	49.860	32	50	HC-49/U	3rd
10.240	18	30	HC-49/U	Fund					

Note : Other Specifications Are Available On Request.