

- Low $r_{DS(on)}$. . . 5 Ω Typical
- Avalanche Energy . . . 30 mJ
- Eight Power DMOS-Transistor Outputs of 150-mA Continuous Current
- 500-mA Typical Current-Limiting Capability
- Output Clamp Voltage . . . 50 V
- Devices Are Cascadable
- Low Power Consumption

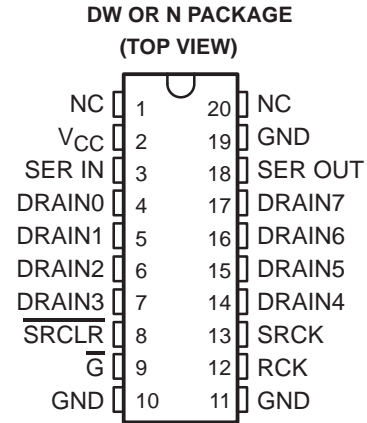
description

The TPIC6B595 is a monolithic, high-voltage, medium-current power 8-bit shift register designed for use in systems that require relatively high load power. The device contains a built-in voltage clamp on the outputs for inductive transient protection. Power driver applications include relays, solenoids, and other medium-current or high-voltage loads.

This device contains an 8-bit serial-in, parallel-out shift register that feeds an 8-bit D-type storage register. Data transfers through both the shift and storage registers on the rising edge of the shift-register clock (SRCK) and the register clock (RCK), respectively. The storage register transfers data to the output buffer when shift-register clear (\overline{SRCLR}) is high. When \overline{SRCLR} is low, the input shift register is cleared. When output enable (\overline{G}) is held high, all data in the output buffers is held low and all drain outputs are off. When \overline{G} is held low, data from the storage register is transparent to the output buffers. When data in the output buffers is low, the DMOS-transistor outputs are off. When data is high, the DMOS-transistor outputs have sink-current capability. The serial output (SER OUT) allows for cascading of the data from the shift register to additional devices.

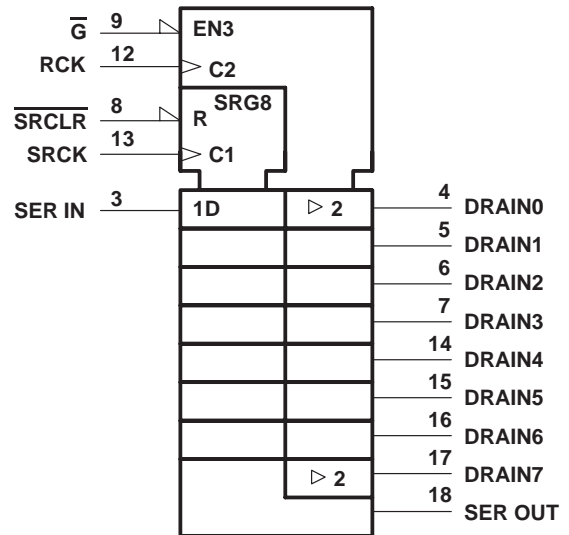
Outputs are low-side, open-drain DMOS transistors with output ratings of 50 V and 150-mA continuous sink-current capability. Each output provides a 500-mA typical current limit at $T_C = 25^\circ\text{C}$. The current limit decreases as the junction temperature increases for additional device protection.

The TPIC6B595 is characterized for operation over the operating case temperature range of -40°C to 125°C .



NC – No internal connection

logic symbol†

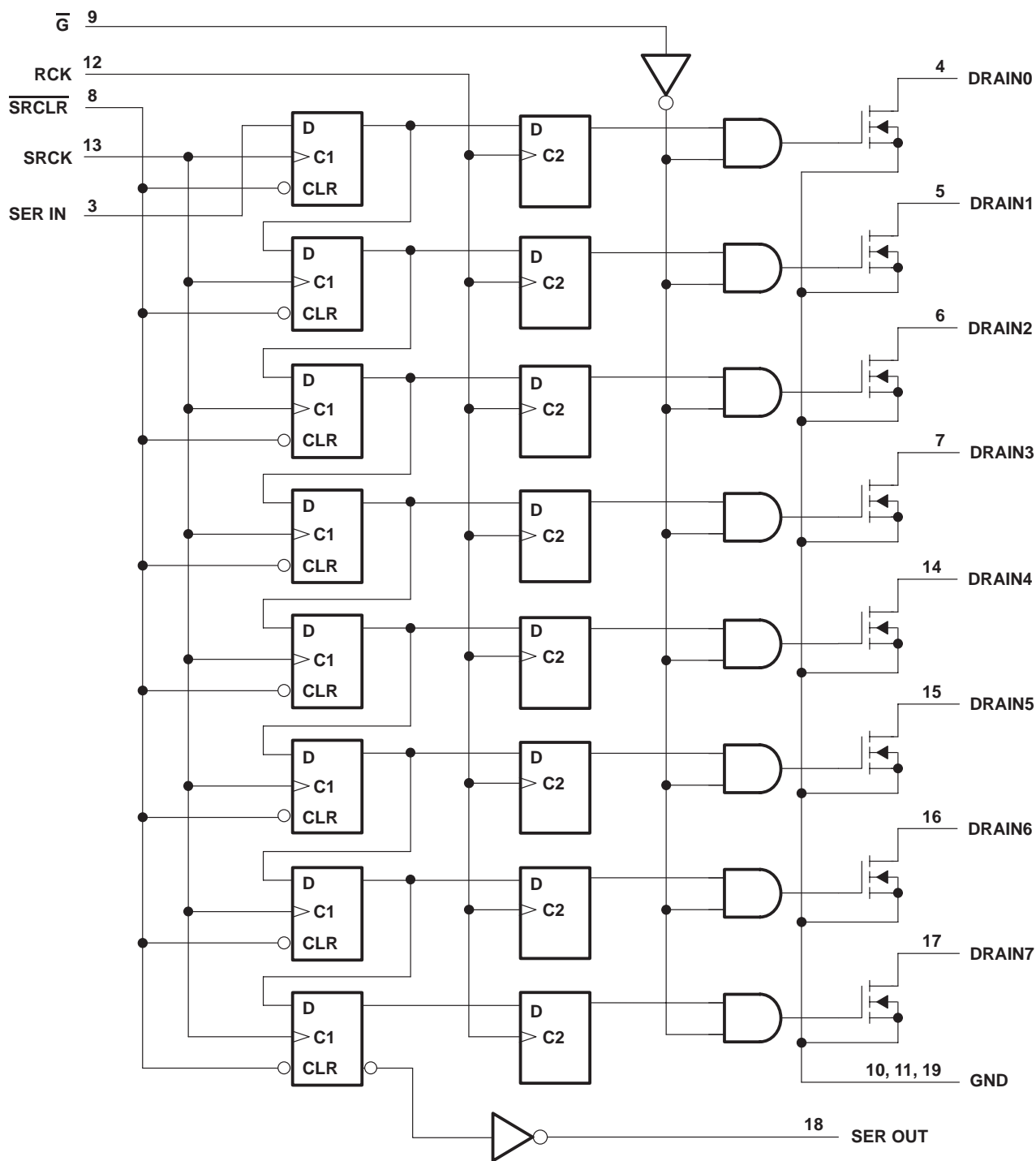


† This symbol is in accordance with ANSI/IEEE Std 91-1984 and IEC Publication 617-12.

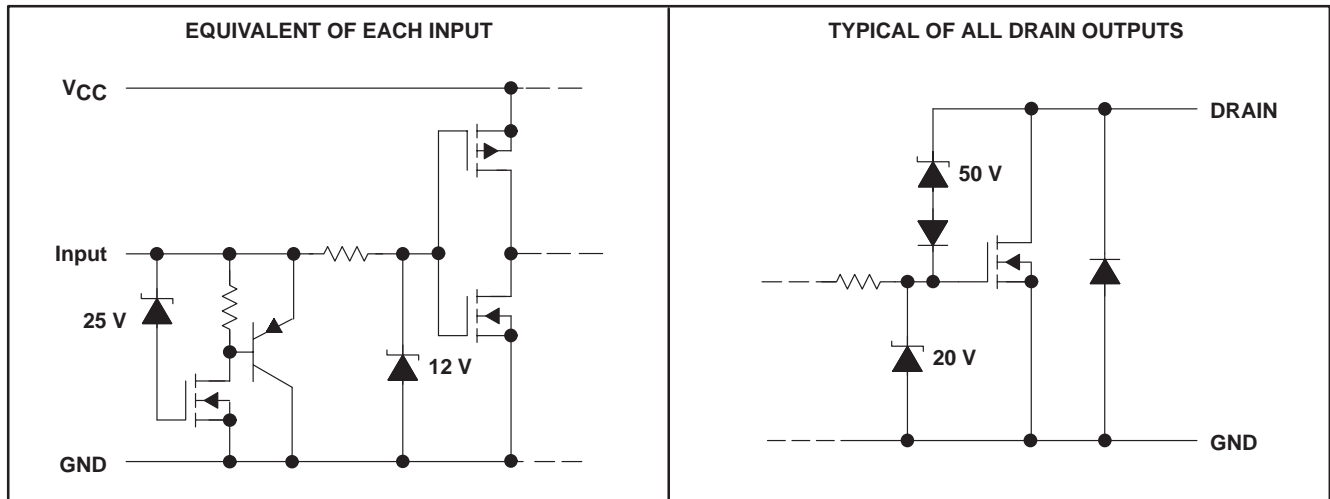
TPIC6B595 POWER LOGIC 8-BIT SHIFT REGISTER

SLIS032 – JULY 1995

logic diagram (positive logic)



schematic of inputs and outputs



absolute maximum ratings over recommended operating case temperature range (unless otherwise noted)†

| | |
|--|------------------------------|
| Logic supply voltage, V_{CC} (see Note 1) | 7 V |
| Logic input voltage range, V_I | -0.3 V to 7 V |
| Power DMOS drain-to-source voltage, V_{DS} (see Note 2) | 50 V |
| Continuous source-to-drain diode anode current | 500 mA |
| Pulsed source-to-drain diode anode current (see Note 3) | 1 A |
| Pulsed drain current, each output, all outputs on, I_D , $T_C = 25^\circ\text{C}$ (see Note 3) | 500 mA |
| Continuous drain current, each output, all outputs on, I_D , $T_C = 25^\circ\text{C}$ | 150 mA |
| Peak drain current single output, I_{DM} , $T_C = 25^\circ\text{C}$ (see Note 3) | 500 mA |
| Single-pulse avalanche energy, E_{AS} (see Figure 4) | 30 mJ |
| Avalanche current, I_{AS} (see Note 4) | 500 mA |
| Continuous total dissipation | See Dissipation Rating Table |
| Operating virtual junction temperature range, T_J | -40°C to 150°C |
| Operating case temperature range, T_C | -40°C to 125°C |
| Storage temperature range | -65°C to 150°C |
| Lead temperature 1,6 mm (1/16 inch) from case for 10 seconds | 260°C |

† Stresses beyond those listed under “absolute maximum ratings” may cause permanent damage to the device. These are stress ratings only, and functional operation of the device at these or any other conditions beyond those indicated under “recommended operating conditions” is not implied. Exposure to absolute-maximum-rated conditions for extended periods may affect device reliability.

- NOTES:
- All voltage values are with respect to GND.
 - Each power DMOS source is internally connected to GND.
 - Pulse duration $\leq 100 \mu\text{s}$ and duty cycle $\leq 2\%$.
 - DRAIN supply voltage = 15 V, starting junction temperature (T_{JS}) = 25°C, $L = 200 \text{ mH}$, $I_{AS} = 0.5 \text{ A}$ (see Figure 4).

DISSIPATION RATING TABLE

| PACKAGE | $T_C \leq 25^\circ\text{C}$ POWER RATING | DERATING FACTOR ABOVE $T_C = 25^\circ\text{C}$ | $T_C = 125^\circ\text{C}$ POWER RATING |
|---------|---|---|---|
| DW | 1389 mW | 11.1 mW/°C | 278 mW |
| N | 1050 mW | 10.5 mW/°C | 263 mW |

TPIC6B595

POWER LOGIC 8-BIT SHIFT REGISTER

SLIS032 – JULY 1995

recommended operating conditions

| | MIN | MAX | UNIT |
|---|---------------|-----|------------------|
| Logic supply voltage, V_{CC} | 4.5 | 5.5 | V |
| High-level input voltage, V_{IH} | 0.85 V_{CC} | | V |
| Low-level input voltage, V_{IL} | 0.15 V_{CC} | | V |
| Pulsed drain output current, $T_C = 25^\circ\text{C}$, $V_{CC} = 5\text{ V}$ (see Notes 3 and 5) | -500 | 500 | mA |
| Setup time, SER IN high before SRCK \uparrow , t_{SU} (see Figure 2) | 20 | | ns |
| Hold time, SER IN high after SRCK \uparrow , t_H (see Figure 2) | 20 | | ns |
| Pulse duration, t_W (see Figure 2) | 40 | | ns |
| Operating case temperature, T_C | -40 | 125 | $^\circ\text{C}$ |

electrical characteristics, $V_{CC} = 5\text{ V}$, $T_C = 25^\circ\text{C}$ (unless otherwise noted)

| PARAMETER | TEST CONDITIONS | MIN | TYP | MAX | UNIT |
|---|---|-----------------|-------|-----|---------------|
| $V_{(BR)DSX}$ Drain-to-source breakdown voltage | $I_D = 1\text{ mA}$ | 50 | | | V |
| V_{SD} Source-to-drain diode forward voltage | $I_F = 100\text{ mA}$ | | 0.85 | 1 | V |
| V_{OH} High-level output voltage, SER OUT | $I_{OH} = -20\ \mu\text{A}$, $V_{CC} = 4.5\text{ V}$ | 4.4 | 4.49 | | V |
| | $I_{OH} = -4\text{ mA}$, $V_{CC} = 4.5\text{ V}$ | 4 | 4.2 | | |
| V_{OL} Low-level output voltage, SER OUT | $I_{OL} = 20\ \mu\text{A}$, $V_{CC} = 4.5\text{ V}$ | | 0.005 | 0.1 | V |
| | $I_{OL} = 4\text{ mA}$, $V_{CC} = 4.5\text{ V}$ | | 0.3 | 0.5 | |
| I_{IH} High-level input current | $V_{CC} = 5.5\text{ V}$, $V_I = V_{CC}$ | | | 1 | μA |
| I_{IL} Low-level input current | $V_{CC} = 5.5\text{ V}$, $V_I = 0$ | | | -1 | μA |
| I_{CC} Logic supply current | $V_{CC} = 5.5\text{ V}$ | All outputs off | 20 | 100 | μA |
| | | All outputs on | 150 | 300 | |
| $I_{CC}(\text{FRQ})$ Logic supply current at frequency | $f_{SRCK} = 5\text{ MHz}$, $C_L = 30\text{ pF}$, All outputs off, See Figures 2 and 6 | | 0.4 | 5 | mA |
| I_N Nominal current | $V_{DS(\text{on})} = 0.5\text{ V}$, $I_N = I_D$, $T_C = 85^\circ\text{C}$ See Notes 5, 6, and 7 | | 90 | | mA |
| I_{DSX} Off-state drain current | $V_{DS} = 40\text{ V}$, $V_{CC} = 5.5\text{ V}$ | | 0.1 | 5 | μA |
| | $V_{DS} = 40\text{ V}$, $V_{CC} = 5.5\text{ V}$, $T_C = 125^\circ\text{C}$ | | 0.15 | 8 | |
| $r_{DS(\text{on})}$ Static drain-source on-state resistance | $I_D = 100\text{ mA}$, $V_{CC} = 4.5\text{ V}$ | | 4.2 | 5.7 | Ω |
| | $I_D = 100\text{ mA}$, $T_C = 125^\circ\text{C}$, $V_{CC} = 4.5\text{ V}$ See Notes 5 and 6 and Figures 7 and 8 | | 6.8 | 9.5 | |
| | $I_D = 350\text{ mA}$, $V_{CC} = 4.5\text{ V}$ | | 5.5 | 8 | |

- NOTES: 3. Pulse duration $\leq 100\ \mu\text{s}$ and duty cycle $\leq 2\%$.
5. Technique should limit $T_J - T_C$ to 10°C maximum.
6. These parameters are measured with voltage-sensing contacts separate from the current-carrying contacts.
7. Nominal current is defined for a consistent comparison between devices from different sources. It is the current that produces a voltage drop of 0.5 V at $T_C = 85^\circ\text{C}$.

switching characteristics, $V_{CC} = 5\text{ V}$, $T_C = 25^\circ\text{C}$

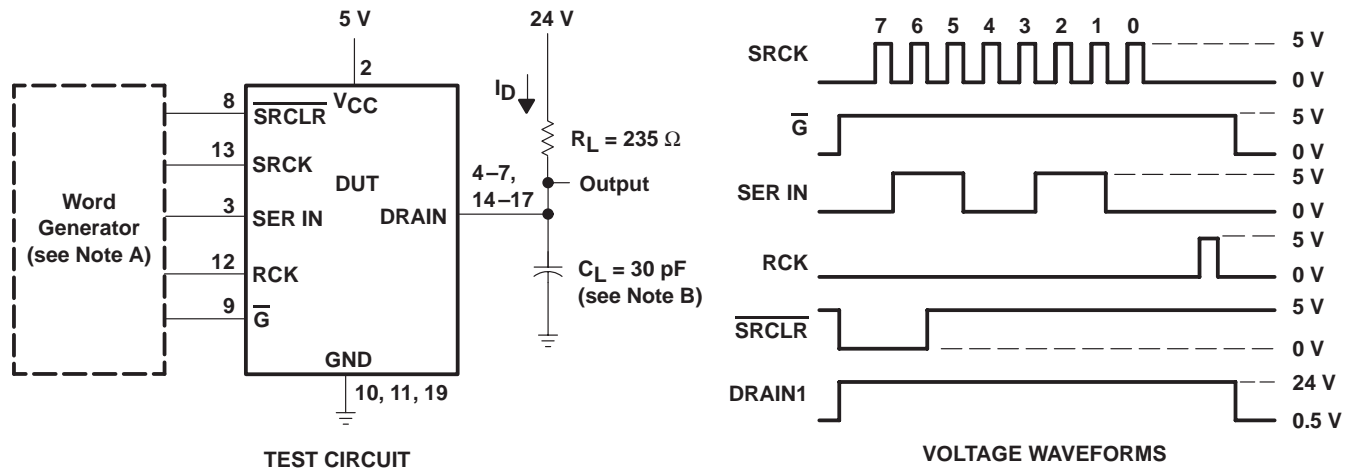
| PARAMETER | | TEST CONDITIONS | MIN | TYP | MAX | UNIT |
|-----------|--|---|-----|-----|-----|------|
| t_{PLH} | Propagation delay time, low-to-high-level output from \overline{G} | $C_L = 30\text{ pF}$, $I_D = 100\text{ mA}$, See Figures 1, 2, and 9 | | 150 | | ns |
| t_{PHL} | Propagation delay time, high-to-low-level output from \overline{G} | | | 90 | | ns |
| t_r | Rise time, drain output | | | 200 | | ns |
| t_f | Fall time, drain output | | | 200 | | ns |
| t_a | Reverse-recovery-current rise time | $I_F = 100\text{ mA}$, $di/dt = 20\text{ A}/\mu\text{s}$, | | 100 | | ns |
| t_{rr} | Reverse-recovery time | See Notes 5 and 6 and Figure 3 | | 300 | | |

NOTES: 5. Technique should limit $T_J - T_C$ to 10°C maximum.
6. These parameters are measured with voltage-sensing contacts separate from the current-carrying contacts.

thermal resistance

| PARAMETER | | TEST CONDITIONS | MIN | MAX | UNIT |
|-----------------|---|-----------------|--------------------------------|-----|---------------------------|
| $R_{\theta JA}$ | Thermal resistance, junction-to-ambient | DW package | | 90 | $^\circ\text{C}/\text{W}$ |
| | | N package | All 8 outputs with equal power | 95 | |

PARAMETER MEASUREMENT INFORMATION



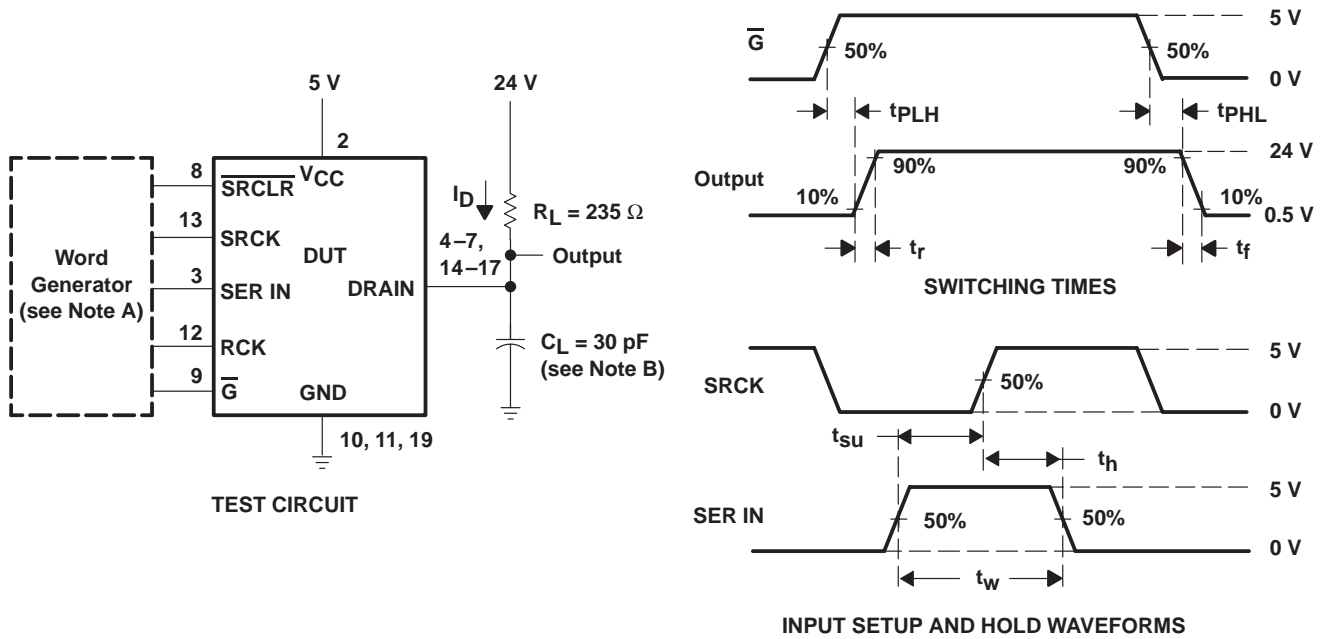
NOTES: A. The word generator has the following characteristics: $t_r \leq 10\text{ ns}$, $t_f \leq 10\text{ ns}$, $t_w = 300\text{ ns}$, pulsed repetition rate (PRR) = 5 kHz , $Z_O = 50\ \Omega$.
B. C_L includes probe and jig capacitance.

Figure 1. Resistive-Load Test Circuit and Voltage Waveforms

TPIC6B595 POWER LOGIC 8-BIT SHIFT REGISTER

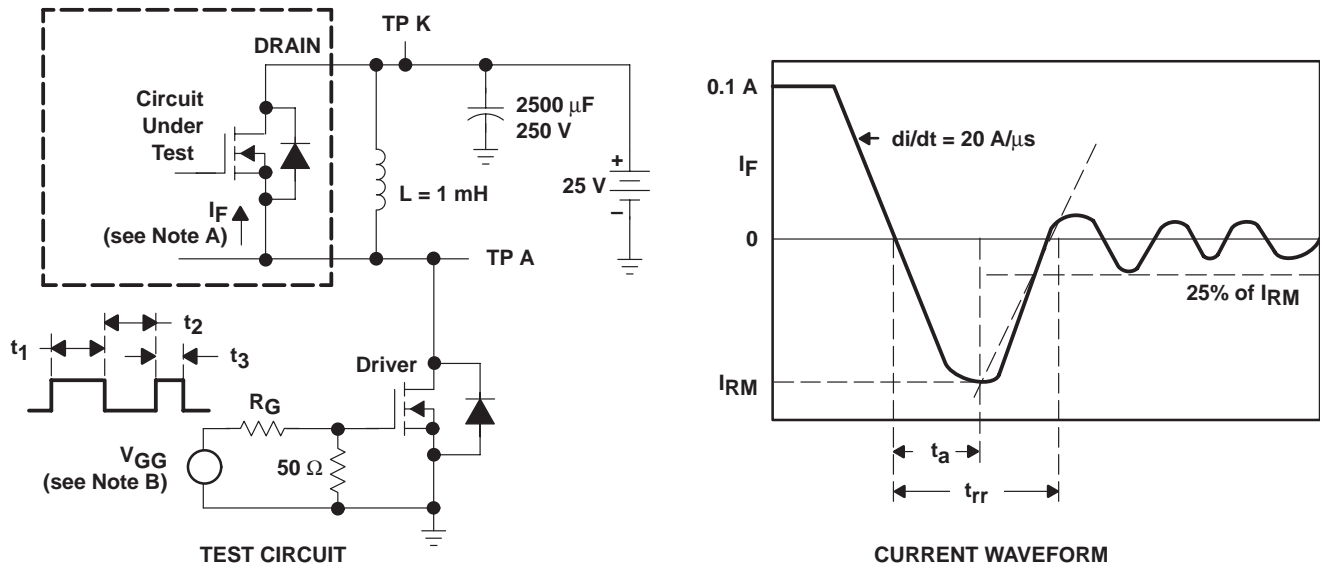
SLIS032 – JULY 1995

PARAMETER MEASUREMENT INFORMATION



- NOTES: A. The word generator has the following characteristics: $t_r \leq 10$ ns, $t_f \leq 10$ ns, $t_w = 300$ ns, pulsed repetition rate (PRR) = 5 kHz, $Z_O = 50 \Omega$.
 B. C_L includes probe and jig capacitance.

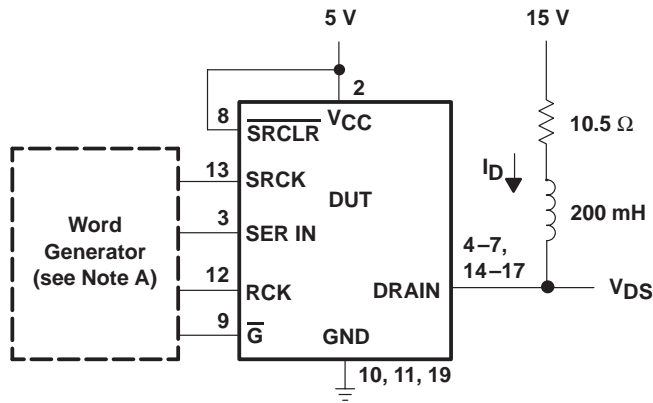
Figure 2. Test Circuit, Switching Times, and Voltage Waveforms



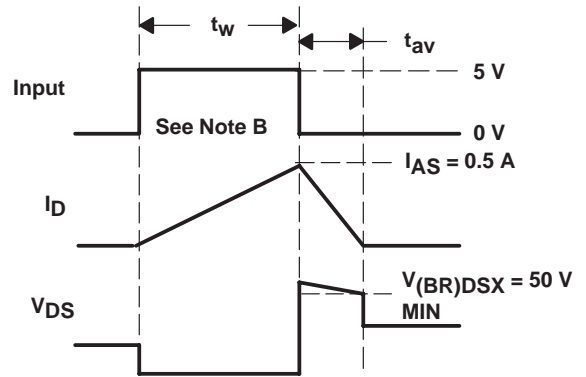
- NOTES: A. The DRAIN terminal under test is connected to the TP K test point. All other terminals are connected together and connected to the TP A test point.
 B. The V_{GG} amplitude and R_G are adjusted for $di/dt = 20$ A/ μ s. A V_{GG} double-pulse train is used to set $I_F = 0.1$ A, where $t_1 = 10 \mu$ s, $t_2 = 7 \mu$ s, and $t_3 = 3 \mu$ s.

Figure 3. Reverse-Recovery-Current Test Circuit and Waveforms of Source-to-Drain Diode

PARAMETER MEASUREMENT INFORMATION



SINGLE-PULSE AVALANCHE ENERGY TEST CIRCUIT



VOLTAGE AND CURRENT WAVEFORMS

- NOTES: A. The word generator has the following characteristics: $t_r \leq 10$ ns, $t_f \leq 10$ ns, $Z_O = 50 \Omega$.
 B. Input pulse duration, t_w , is increased until peak current $I_{AS} = 0.5$ A.
 Energy test level is defined as $E_{AS} = I_{AS} \times V_{(BR)DSX} \times t_{av}/2 = 30$ mJ.

Figure 4. Single-Pulse Avalanche Energy Test Circuit and Waveforms

TYPICAL CHARACTERISTICS

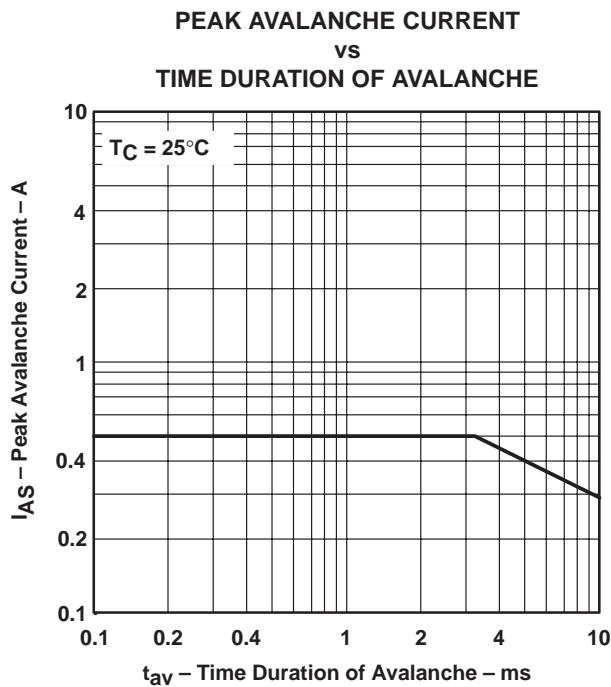


Figure 5

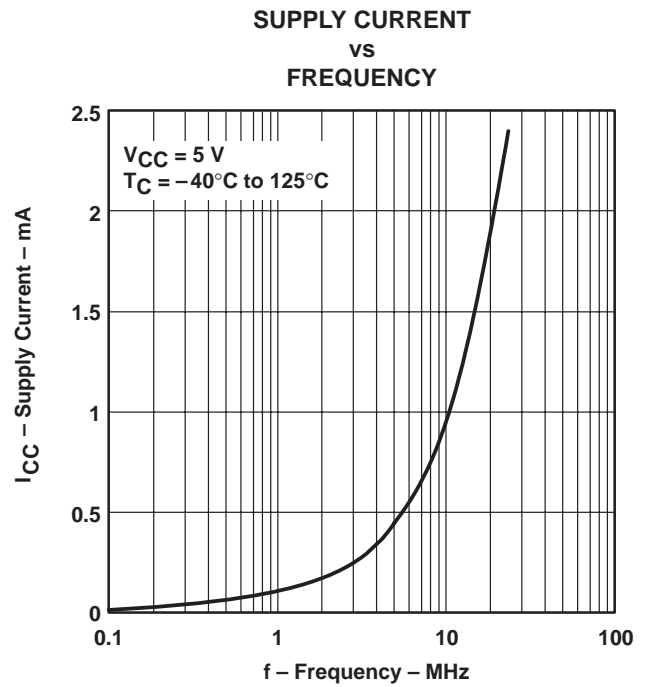


Figure 6

TPIC6B595 POWER LOGIC 8-BIT SHIFT REGISTER

SLIS032 – JULY 1995

TYPICAL CHARACTERISTICS

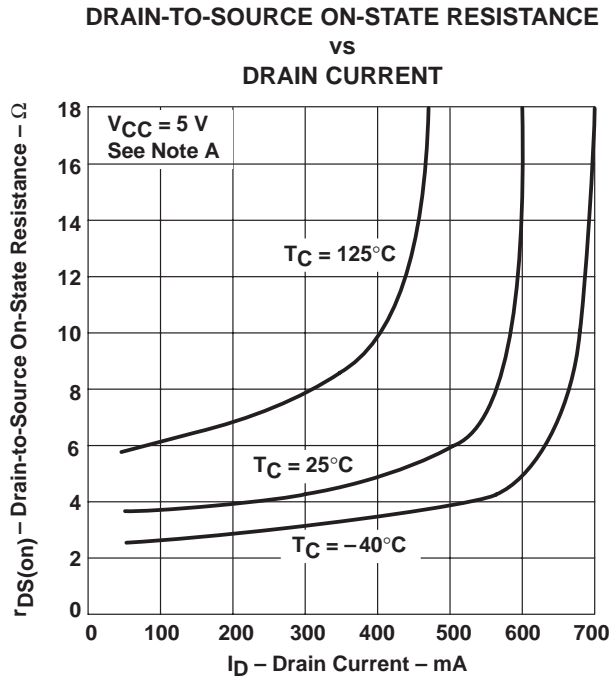


Figure 7

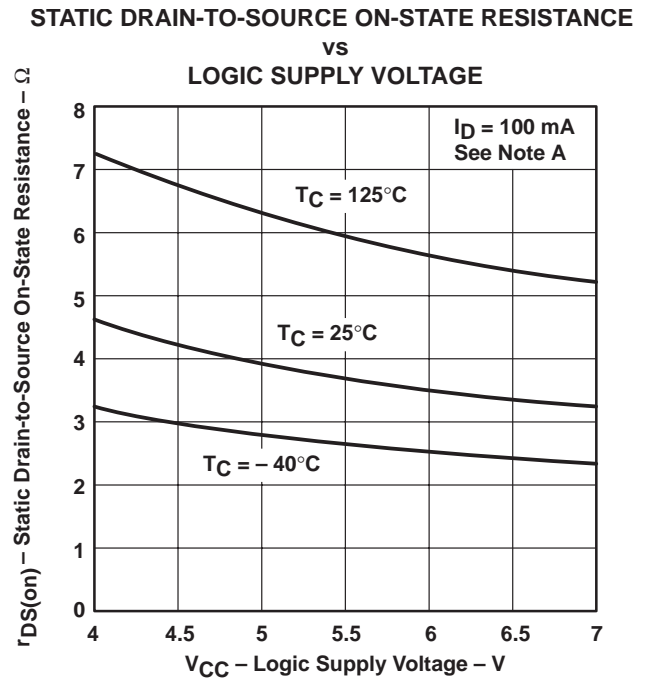


Figure 8

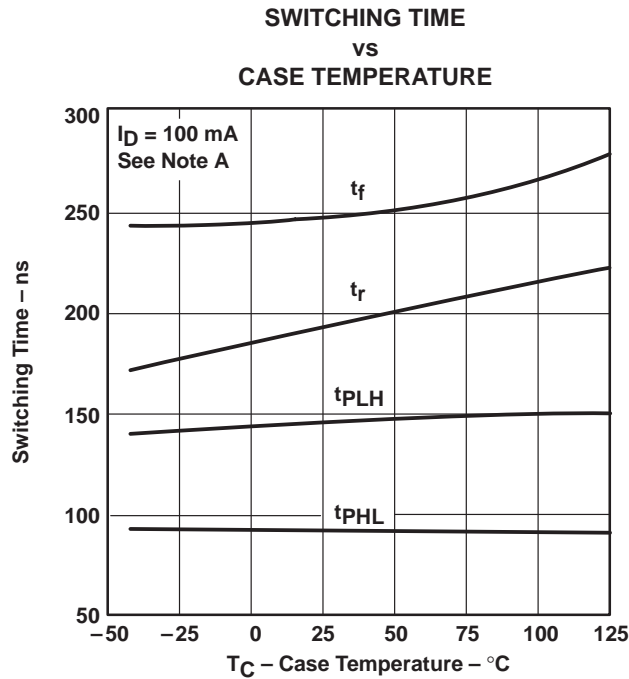


Figure 9

NOTE C: Technique should limit $T_J - T_C$ to 10°C maximum.

THERMAL INFORMATION

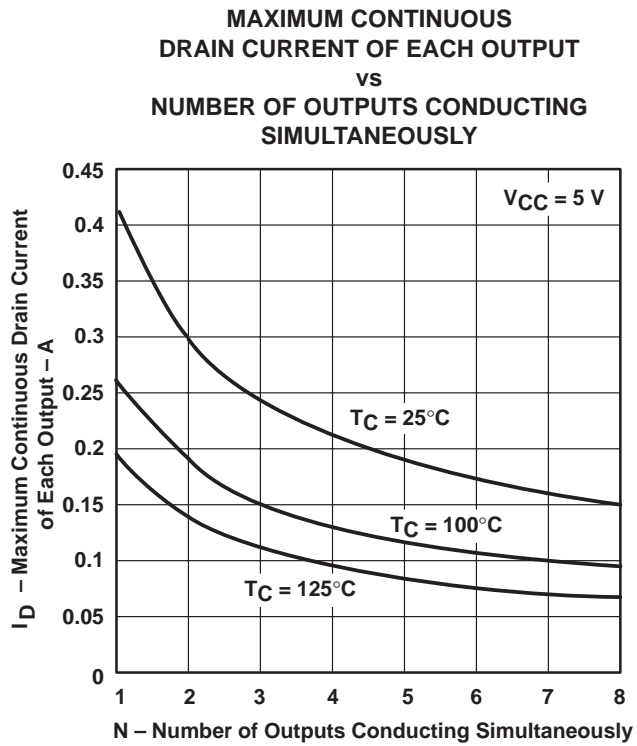


Figure 10

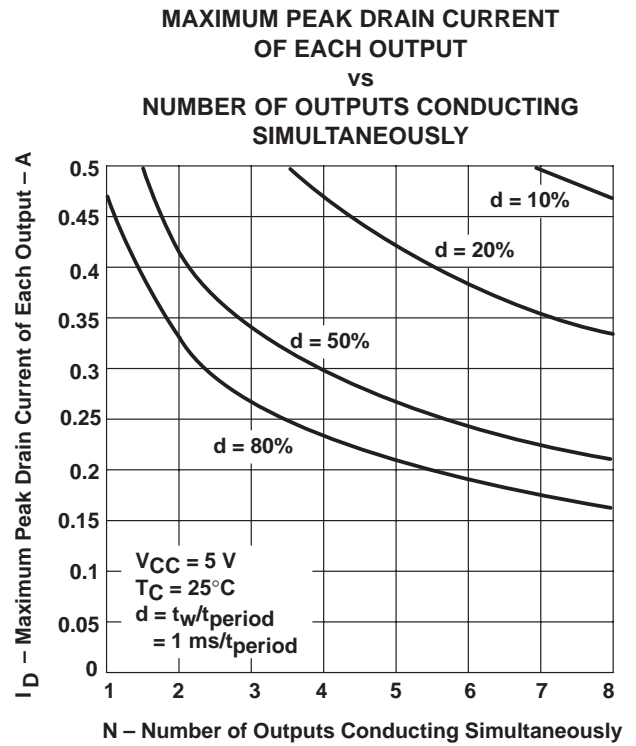


Figure 11

IMPORTANT NOTICE

Texas Instruments and its subsidiaries (TI) reserve the right to make changes to their products or to discontinue any product or service without notice, and advise customers to obtain the latest version of relevant information to verify, before placing orders, that information being relied on is current and complete. All products are sold subject to the terms and conditions of sale supplied at the time of order acknowledgement, including those pertaining to warranty, patent infringement, and limitation of liability.

TI warrants performance of its semiconductor products to the specifications applicable at the time of sale in accordance with TI's standard warranty. Testing and other quality control techniques are utilized to the extent TI deems necessary to support this warranty. Specific testing of all parameters of each device is not necessarily performed, except those mandated by government requirements.

CERTAIN APPLICATIONS USING SEMICONDUCTOR PRODUCTS MAY INVOLVE POTENTIAL RISKS OF DEATH, PERSONAL INJURY, OR SEVERE PROPERTY OR ENVIRONMENTAL DAMAGE ("CRITICAL APPLICATIONS"). TI SEMICONDUCTOR PRODUCTS ARE NOT DESIGNED, AUTHORIZED, OR WARRANTED TO BE SUITABLE FOR USE IN LIFE-SUPPORT DEVICES OR SYSTEMS OR OTHER CRITICAL APPLICATIONS. INCLUSION OF TI PRODUCTS IN SUCH APPLICATIONS IS UNDERSTOOD TO BE FULLY AT THE CUSTOMER'S RISK.

In order to minimize risks associated with the customer's applications, adequate design and operating safeguards must be provided by the customer to minimize inherent or procedural hazards.

TI assumes no liability for applications assistance or customer product design. TI does not warrant or represent that any license, either express or implied, is granted under any patent right, copyright, mask work right, or other intellectual property right of TI covering or relating to any combination, machine, or process in which such semiconductor products or services might be or are used. TI's publication of information regarding any third party's products or services does not constitute TI's approval, warranty or endorsement thereof.

Copyright © 2000, Texas Instruments Incorporated