

CODIGO

PCFS187

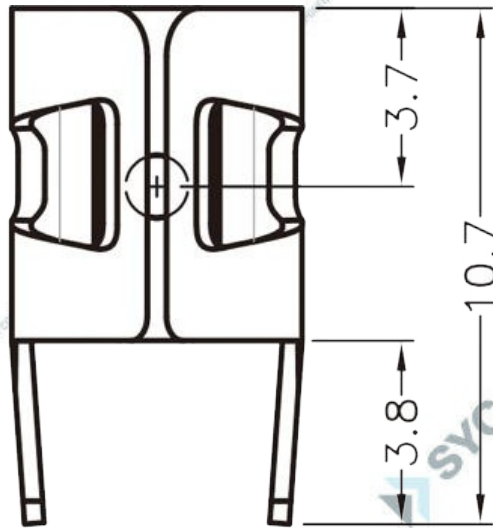
DESCRIPCION

PALA P/C.I. A=4.8MM

✚ MATERIAL 1: TIN PLATED BRASS

✚ UNIT: mm

Application: Welding terminal on board, strong, neat, and high electric current acceptance.



t=0.41

